

Lightweight Vacuum Cleaner

Household Type

Owner's Guide Z161 Series

IMPORTANT

For any advise
on your cleaner,
please telephone
Customer Care
08706 055055

Index

Important Safeguards.....	2
Service Information	4
Identify Parts	4
Assemble.....	5
Use	6
Dust Cup.....	7
Motor Filter	7
Guarantee.....	8

IMPORTANT SAFEGUARDS

When using an electric appliance, basic precautions should always be followed, including the following:

READ ALL INSTRUCTIONS BEFORE USING THIS VACUUM CLEANER


WARNING

To reduce the risk of fire, electric shock, or injury:

- Do not use outdoors or on wet surfaces.
- **Do not leave vacuum cleaner when plugged in.** Turn off the switch and unplug the electrical cord when not in use and before servicing.
- Do not allow to be used as a toy. Close attention is necessary when used by or near children.
- Use only as described in this manual. Use only manufacturer's recommended attachments.
- Do not use with damaged cord or plug. If vacuum cleaner is not working as it should, has been dropped, damaged, left outdoors, or dropped into water, return it to a service center before using.
- Do not pull or carry by cord, use cord as a handle, close a door on cord or pull cord around sharp edges or corners. Do not run vacuum cleaner over cord. Keep cord away from heated surfaces.
- Do not use extension cords or outlets with inadequate current carrying capacity.
- Turn off all controls before unplugging.
- Do not unplug by pulling on cord. To unplug, grasp the plug, not the cord.
- Do not handle plug or vacuum cleaner with wet hands.
- Do not put any object into openings. Do not use with any opening blocked; keep free of dust, lint, hair, and anything that may reduce airflow.
- This vacuum cleaner creates suction. Some models contain a revolving brush roll. Keep hair, loose clothing, fingers, and all parts of body away from openings and moving parts.
- Do not pick up anything that is burning or smoking, such as cigarettes, matches, or hot ashes.
- Do not use without motor filter in place.
- Use extra care when cleaning on stairs.
- Do not use to pick up flammable or combustible liquids such as gasoline, or use in areas where they may be present.
- Store your cleaner indoors in a cool, dry area.
- Keep your work area well lighted.
- Unplug electrical appliances before vacuuming them.

SAVE THESE INSTRUCTIONS



The symbol  on the product or on its packaging indicates that this product may not be treated as household waste. Instead it shall be handed over to the applicable collection point for the recycling of electrical and electronic equipment. By ensuring this product is disposed of correctly, you will help prevent potential negative consequences for the environment and human health, which could otherwise be caused by inappropriate waste handling of this product. For more detailed information about recycling of this product, please contact your local city office, your household waste disposal service or the shop where you purchased the product.

BEFORE YOU START CHECK THE VOLTAGE

First check the voltage shown on the data plate (see rear view) to make sure that the cleaner is of the correct voltage for your electricity supply. If it is not, do not use the cleaner but refer back to your dealer.

CONNECTING TO YOUR ELECTRICITY SUPPLY

Permanently connected to the cleaner is a mains supply (2-core) cable fitted with a non-rewirable plug incorporating a 5A fuse.

In the event of the fuse requiring replacement the fuse cover should be removed using a small screwdriver. The old fuse **MUST** be replaced by a 5A ASTA approved BS1362 fuse or a BSI approved fuse. The cover must be replaced before the plug is used again. In the event of loss of the fuse cover, replacements can be obtained from your Electrolux dealer or Electrical Retailers and must be of the same colour as indicated by the coloured insert on the base of the plug.

If difficulty is experienced in obtaining a replacement, contact Electrolux on 08706 055 055.

In no circumstances must the plug be used without a correct fuse cover fitted.

If the plug that is fitted to your appliance is not suitable for your socket outlet, it must be cut off and the appropriate plug fitted.

Remove the fuse from the cut off plug.

The cut off plug should then be disposed of to prevent the hazard of shocks in case it should be plugged into a 5 amp socket in another part of your home.

The wires in the mains cable of this appliance are coloured in accordance with the following code: **Blue: Neutral. Brown: Live.**

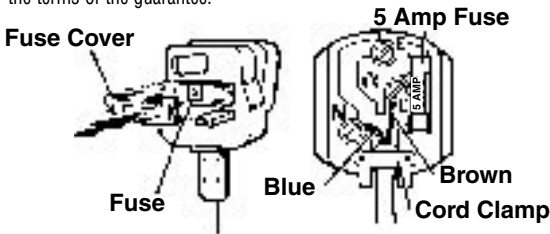
As the colours of the wires in the mains cable of this appliance may not correspond with the coloured markings identifying the terminals in your plug, proceed as follows:

The wire which is coloured blue must be connected to the terminal which is marked with the letter N or coloured black.

The wire which is coloured brown must be connected to the terminal which is marked with the letter L or coloured red.

If using a three-pin plug, do not make any connection to the terminal marked with the letter E or by the earth symbol or coloured green or green-and-yellow. This cleaner is double insulated and no earth connection is necessary.

It is in your interest to ensure that the plug is correctly attached to the mains cable. In case of doubt, have it done by a qualified electrician, as Electrolux cannot regard the repair of faults on the plug connection as a service that can be given free of charge under the terms of the guarantee.



WARNING

The brush in the cleaning head rotates at high speed and can cause damage to the mains supply cable if the cleaner passes over it during cleaning operations.

Care should be taken to ensure that this does not happen. If the cleaning head has accidentally passed over the mains supply cable the following action should be taken:

1. Switch off and remove the plug from the socket outlet.
2. Examine the mains supply cable for damage (only after removing the plug from the socket outlet).
3. If there is any sign of damage to the supply cable it **MUST** be renewed. The repair **MUST** be carried out by Electrolux Service Staff or a similar qualified person.
4. **NEVER** use the machine with a damaged mains supply cable.

Proprietary carpet conditioning and air freshening materials

After using proprietary carpet conditioning powders, it is recommended that the dust bag be changed. Some of these preparations contain substances which if left in the vacuum cleaner for extended periods could damage the plastic mouldings which form the structure of the cleaner.

Many air fresheners, household deodorants, sprays and polishes contain a highly flammable gas propellant.

Because of this, it is particularly important that these products are used strictly in accordance with the relevant manufacturer's instructions.

It is essential that none of the above products are sprayed directly into the vacuum cleaner or any of its filters, hose assembly, or dustbag chamber.

GENERAL INFORMATION

Use the cleaner to pick up dirt and dust particles. Avoid picking up hard or sharp objects that could damage the vacuum cleaner.

Service Information

The instructions in this booklet serve as a guide to routine maintenance. For additional service information, telephone Electrolux Customer Care on 08706 055055. **You should know the model, type and serial number or date code when you call.**



Do Not Oil the motor or the brush roll. These parts are permanently lubricated and sealed.

Rating Plate

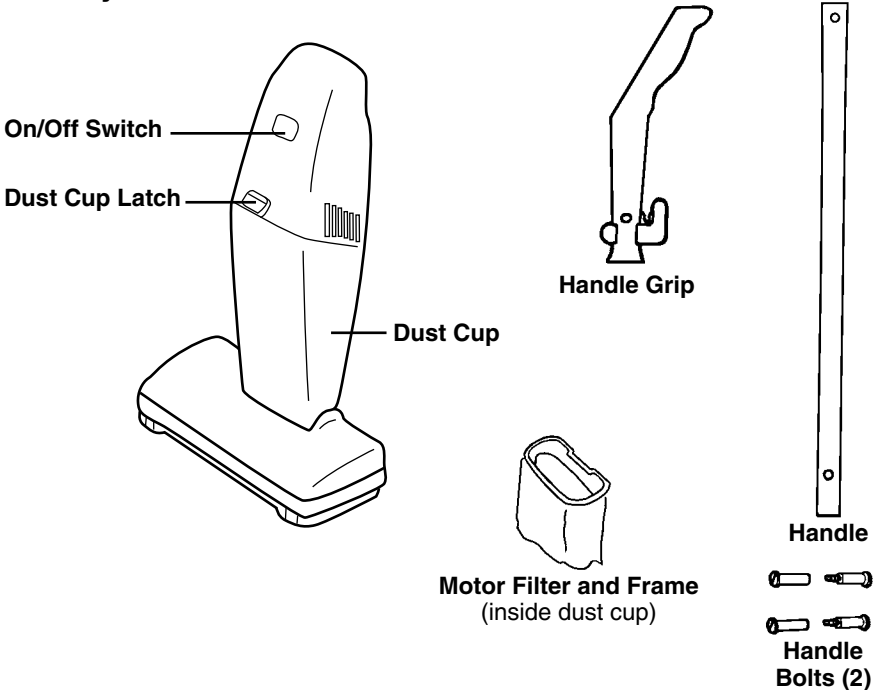
The rating plate on the back of the vacuum cleaner shows the model number. For prompt and complete service, always refer to these numbers.

MODEL	TYPE	SERIAL NO.
VOLTS	WATTS	HERTZ
	Electrolux Made in China	

Model and Type No. _____

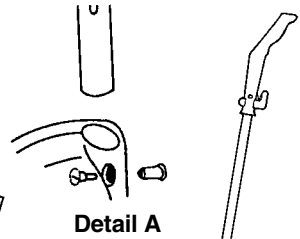
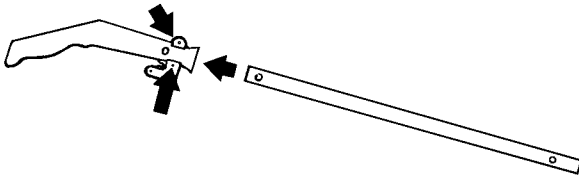
Serial No. or Date Code _____

Identify Parts



HOW TO ASSEMBLE

Assemble completely before using.



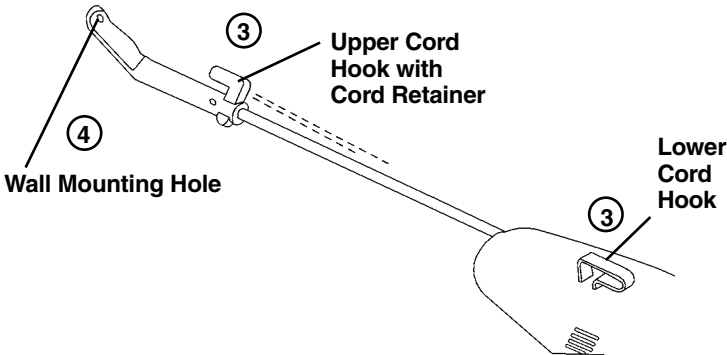
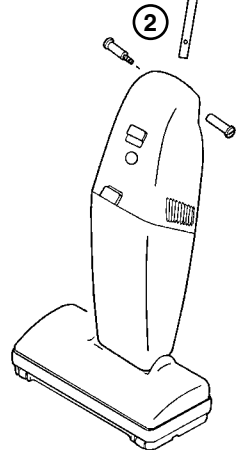
1. Attach Handle Grip

Slightly loosen the screws in the handle grip to insert the handle.

Align the hole and secure with a 2-part bolt, see Detail A. Tighten the screws.

2. Attach Handle

Push handle into top of cleaner. Align the hole and secure with the other 2-part bolt.



3. Store Cord

Pull up on the electrical cord. Push cord into cord retainer inside upper cord hook. Wrap cord around upper and lower cord hooks. Fasten plug to electrical cord to prevent unwinding.

4. Store Unit

Use the hole in the handle to hang the cleaner for storage.

HOW TO USE

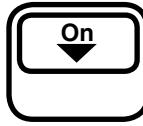
Use this lightweight vacuum cleaner for quick and easy cleaning. Move the nozzle over any floor covering to quickly clean dirt, lint or threads.

Power Switch

- All models:
Push switch down to turn on.
Push switch up to turn off.



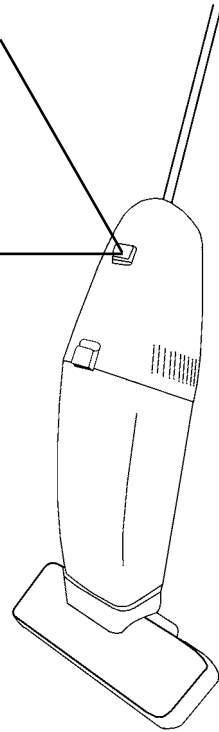
Power Switch



Off

Floors

Carpets



Nozzle with Edge Cleaning

The nozzle turns down for regular or low profile cleaning. Airflow under the nozzle automatically directs suction to the edges and corners for maximum full width cleaning.

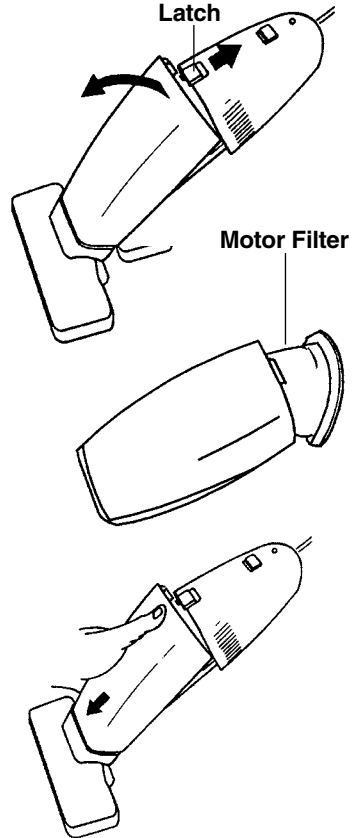
HOW TO MAINTAIN

The instructions in this booklet serve as a guide to routine maintenance. Keep the vacuum cleaner operating at top efficiency. Clean the motor filter and empty the dust cup container after each use.

Empty Dust Cup

CAUTION: Turn off the power switch and unplug the electrical cord before servicing.

1. Slide dust cup latch up.
2. Pull dust cup from handle section and lift from the nozzle.
3. Grasp curved edge of motor filter and pull out to remove. Clean motor filter (refer to motor filter section).
4. Shake contents of dust cup into waste container.
5. Replace motor filter. Put flat side into dust cup. Press curve edge into place until the rim of motor filter rests on ribs inside dust cup.
6. Hold dust cup sides with thumbs near the latch.
7. Position dust cup over nozzle.
8. Wrap fingers to the back of the handle section. Gently squeeze the sections together until the dust cup latch locks the cup in place.



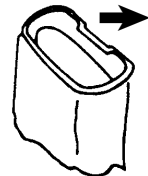
Clean Motor Filter

CAUTION: Turn off the power switch and unplug the electrical cord before servicing.

Clean the motor filter after each cleaner use.

1. Shake and brush the dust and dirt from filter.
2. Pull back on rubber gasket to remove filter from the frame.
3. If desired, launder the filter by hand in warm water (150°F 65°C) using a mild detergent.
4. Air dry thoroughly.
5. Replace filter over frame and secure the lip of the frame into the gasket.

Pull filter away from frame.



Replace a dirty or torn filter. For genuine replacement filters call Electrolux on 08706 055055.

Cleaner Care

CAUTION: Turn off power switch and unplug electrical cord to clean unit.

To keep the vacuum cleaner looking new, it can be wiped with a damp cloth and a mild soap solution, then thoroughly dried. Never use any type of chemical as chemicals can damage the cleaner.

Guarantee

This guarantee is in addition to your statutory and other legal rights.

Electrolux products are carefully designed, manufactured, tested and inspected and, in consequence, we undertake to replace or repair any part found to be defective in material or workmanship, within one year of delivery to the original purchaser, free of charge.

There are certain conditions which may invalidate this guarantee:

- a. It is dependent upon the appliance being correctly installed and used in accordance with the Company's instructions under normal domestic conditions within the United Kingdom or the Republic of Ireland.
- b. Service at all times must be carried out by an Electrolux Service Representative or authorised agent.
- c. The guarantee may be invalidated by unauthorised repair or modification of the appliance.
- d. You may be charged by Electrolux if you call for an engineer to resolve a problem that we believe is covered in the instruction booklet.

The Company does not accept liability for defects arising from neglect, misuse or accident. This guarantee excludes such normal wearing parts as drive belts, brushes and dust bags as the life of these depends upon the amount and nature of use.

Proof of the date of purchase will be required before service under guarantee is provided. Addresses and telephone numbers for service requests are listed on the Service Centre leaflet.

Important:

For future reference we suggest you record the following details here, and keep the receipt with the handbook as proof of purchase.

Purchased from _____

Date purchased _____ Model no. _____